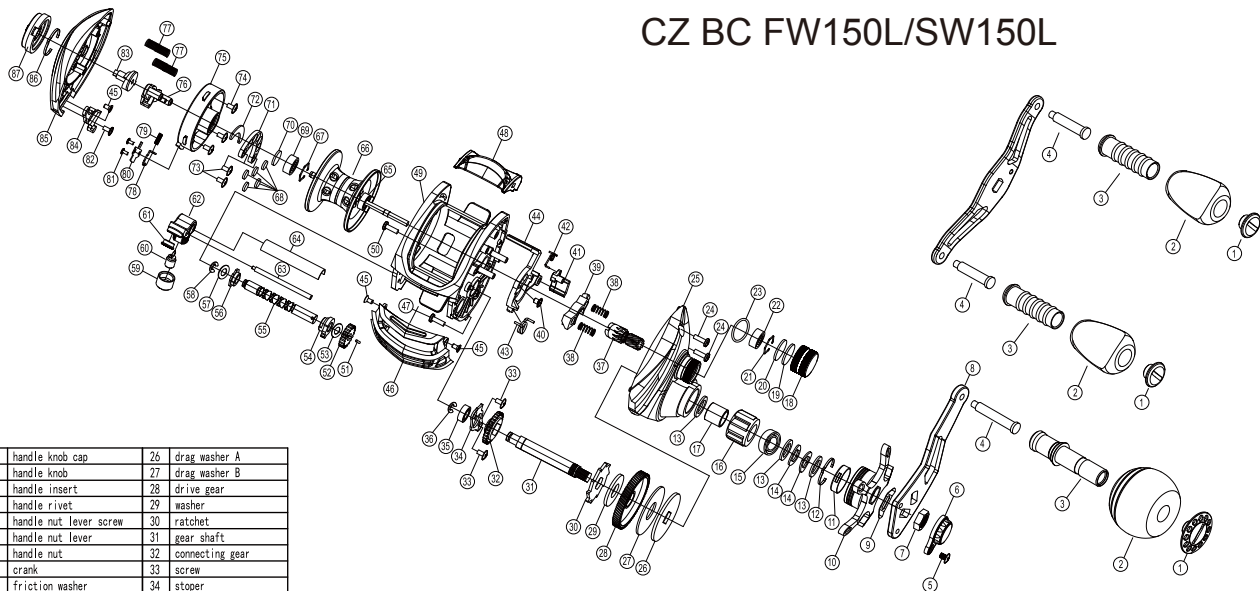


CZ BC FW150L/SW150L



1	handle knob cap	26	drag washer A
2	handle knob	27	drag washer B
3	handle insert	28	drive gear
4	handle rivet	29	washer
5	handle nut lever screw	30	ratchet
6	handle nut lever	31	gear shaft
7	handle nut	32	connecting gear
8	crank	33	screw
9	friction washer	34	stoper
10	star handle assembly	35	ball bearing
11	click holder	36	E-ring
12	click spring	37	pinion gear
13	drag spring washer	38	clutch spring
14	bridge washer	39	clutch
15	ball bearing	40	screw
16	one way clutch	41	kick lever
17	one way collar	42	kick lever spring
18	control cap	43	clutch spring
19	cushion rubber	44	clutch cam
20	brake washer	45	front cover screw
21	stopper spring	46	front cover
22	ball bearing	47	screw B
23	o-ring	48	clutch lever
24	screw A	49	frame
25	cover A	50	screw C

51	carriage screw pin	63	holder guide
52	carriage screw gear	64	stabilizer bar
53	washer	65	ball bearing
54	guide bushing-B	66	spool assembly
55	carriage screw	67	stopper spring
56	guide bushing-A	68	magnet
57	washer	69	ball bearing
58	E-ring	70	brake washer
59	pawl cap	71	magnet holder
60	return pawl	72	magnet plate
61	guide ring	73	screw
62	line guide holder	74	screw

75	spool cover	83	brake cam
76	brake cam plate	84	key push lever
77	spring	85	cover B
78	spring plate	86	click spring
79	spring	87	brake control lever
80	lockcover		
81	screw		
82	screw		